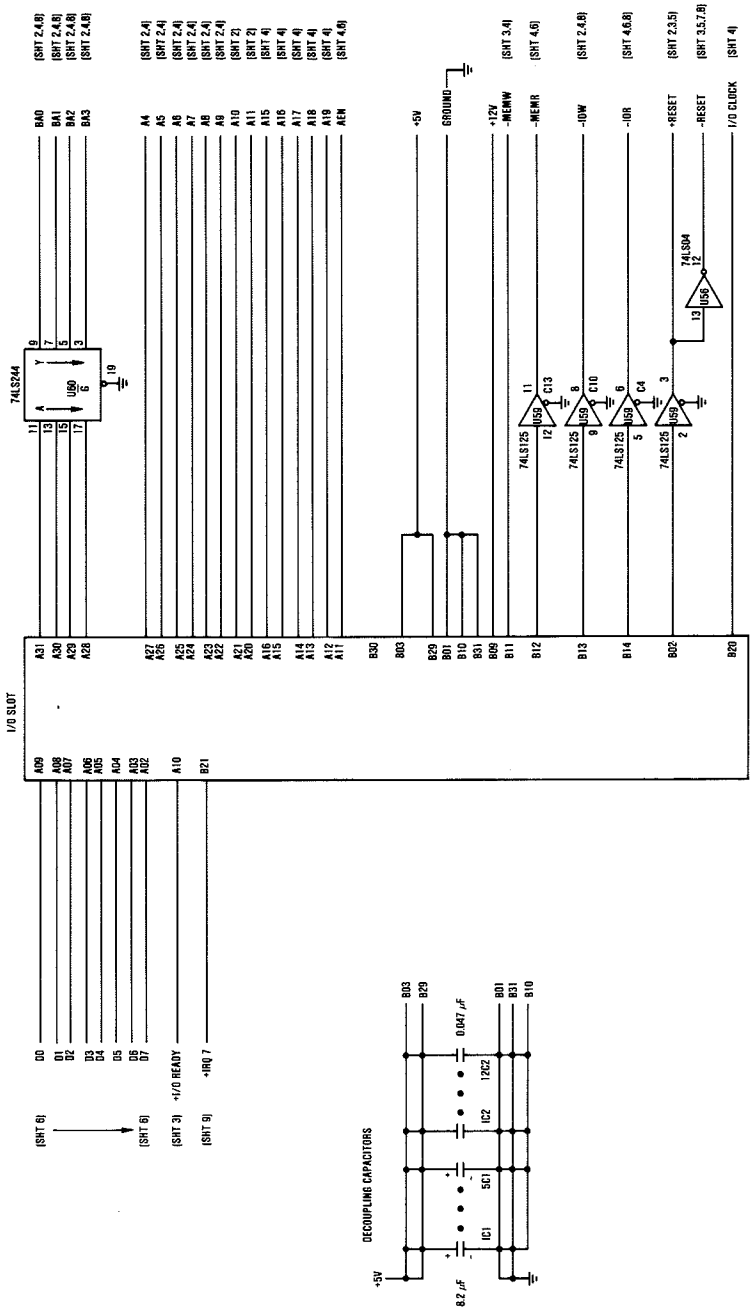
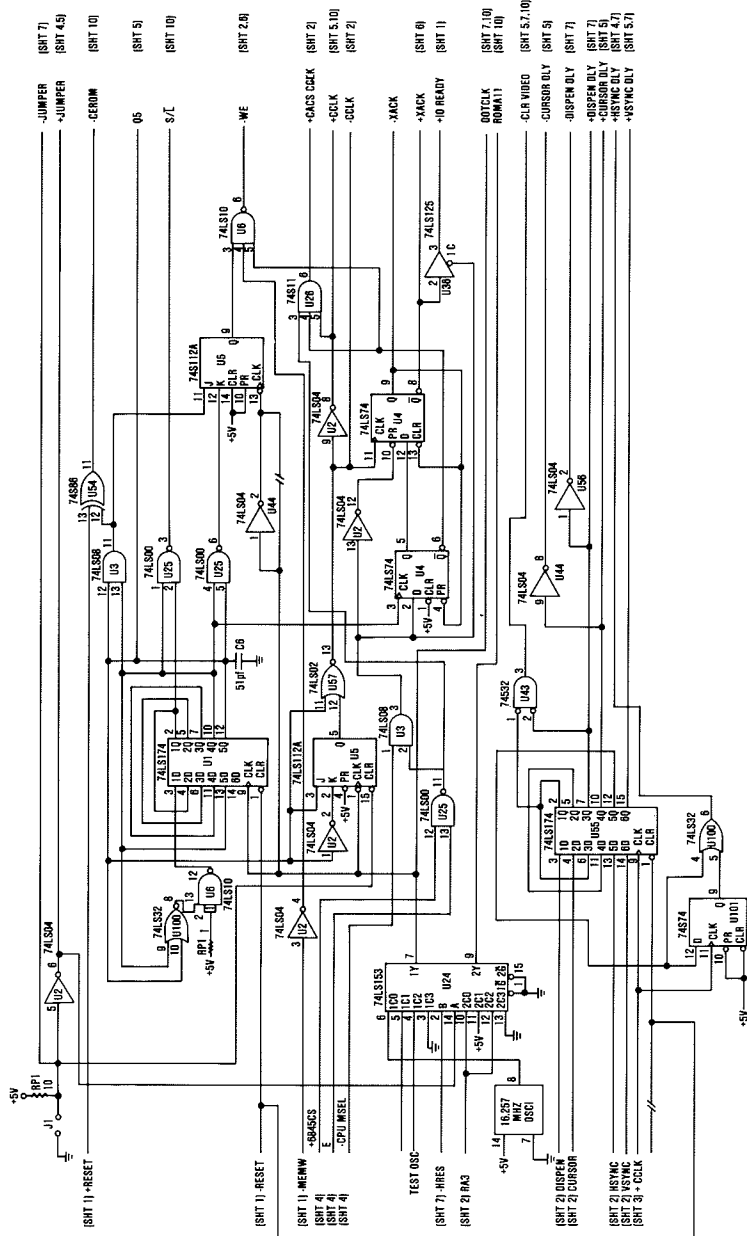


Printer Adapter (Sheet 1 of 1)



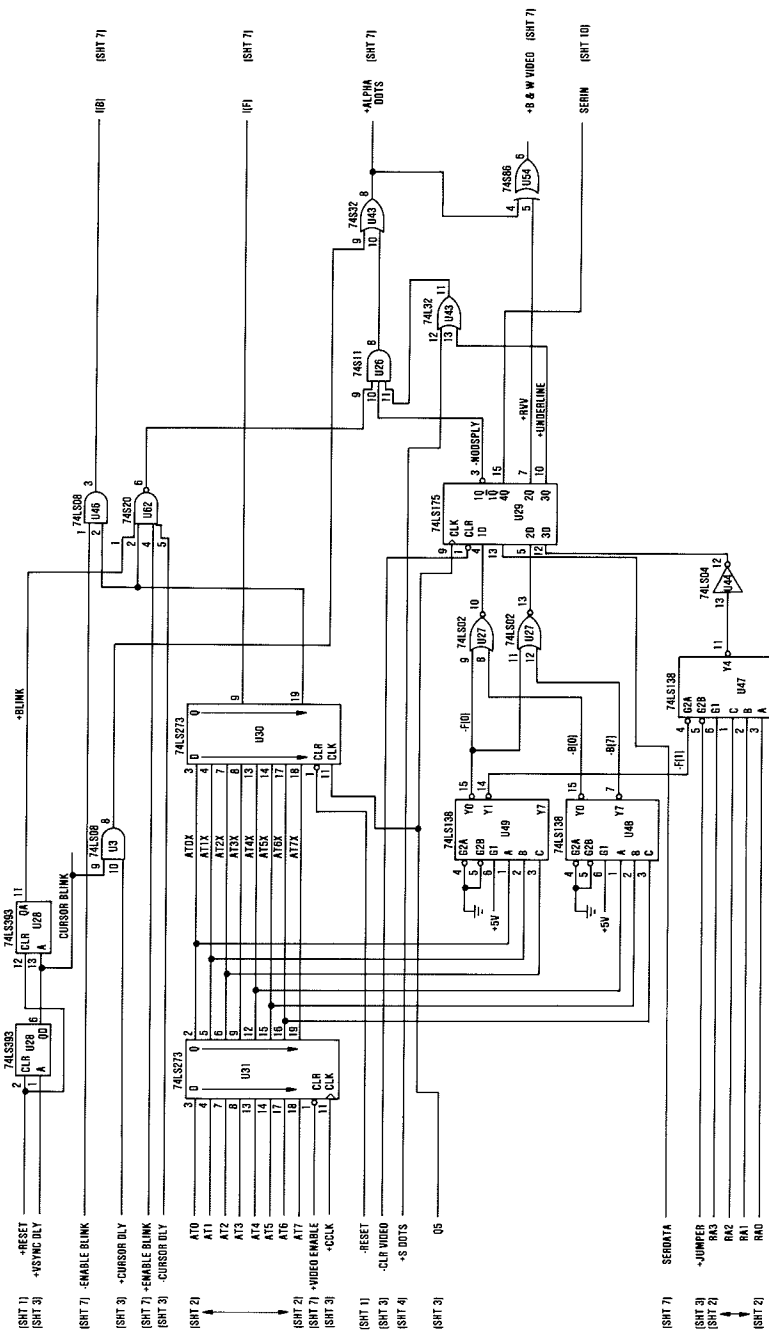
Monochrome Display Adapter (Sheet 1 of 10)



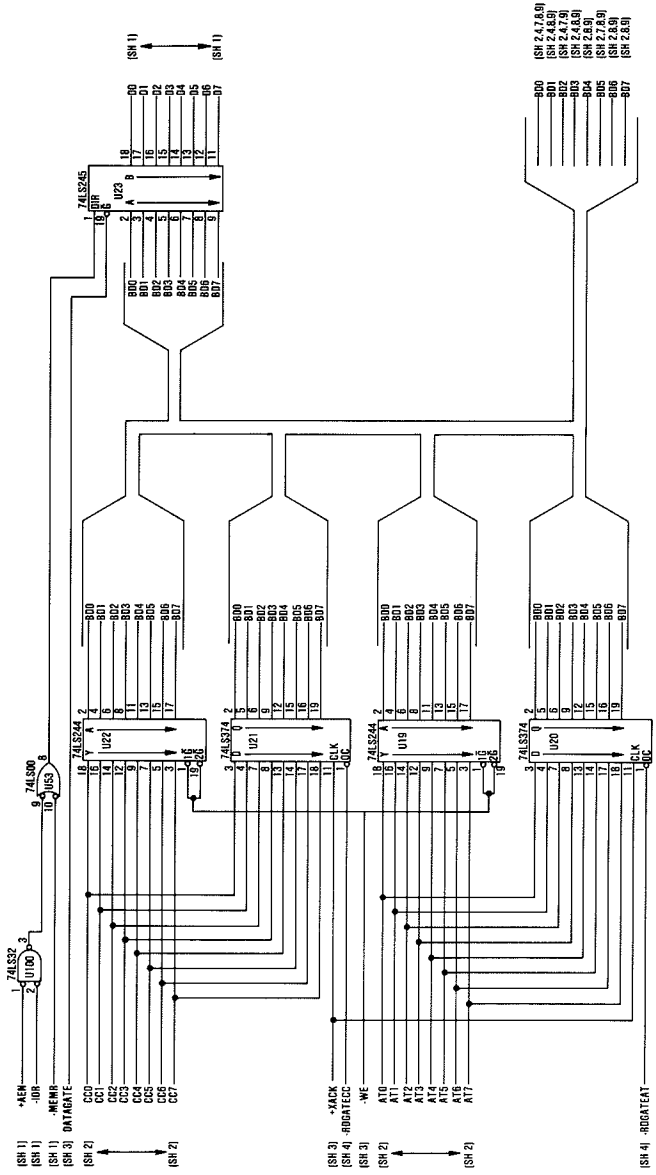


Monochrome Display Adapter (Sheet 3 of 10)





Monochrome Display Adapter (Sheet 5 of 10)

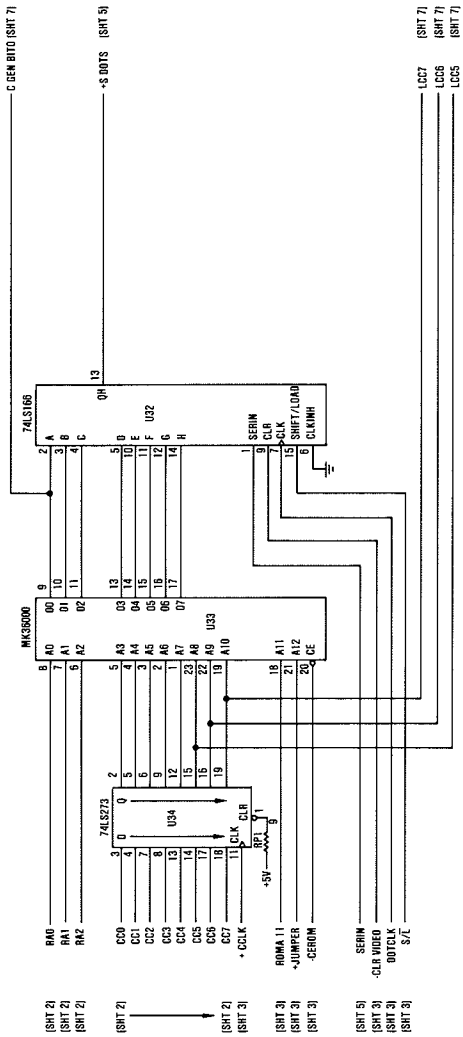


Monochrome Display Adapter (Sheet 6 of 10)









Monochrome Display Adapter (Sheet 10 of 10)

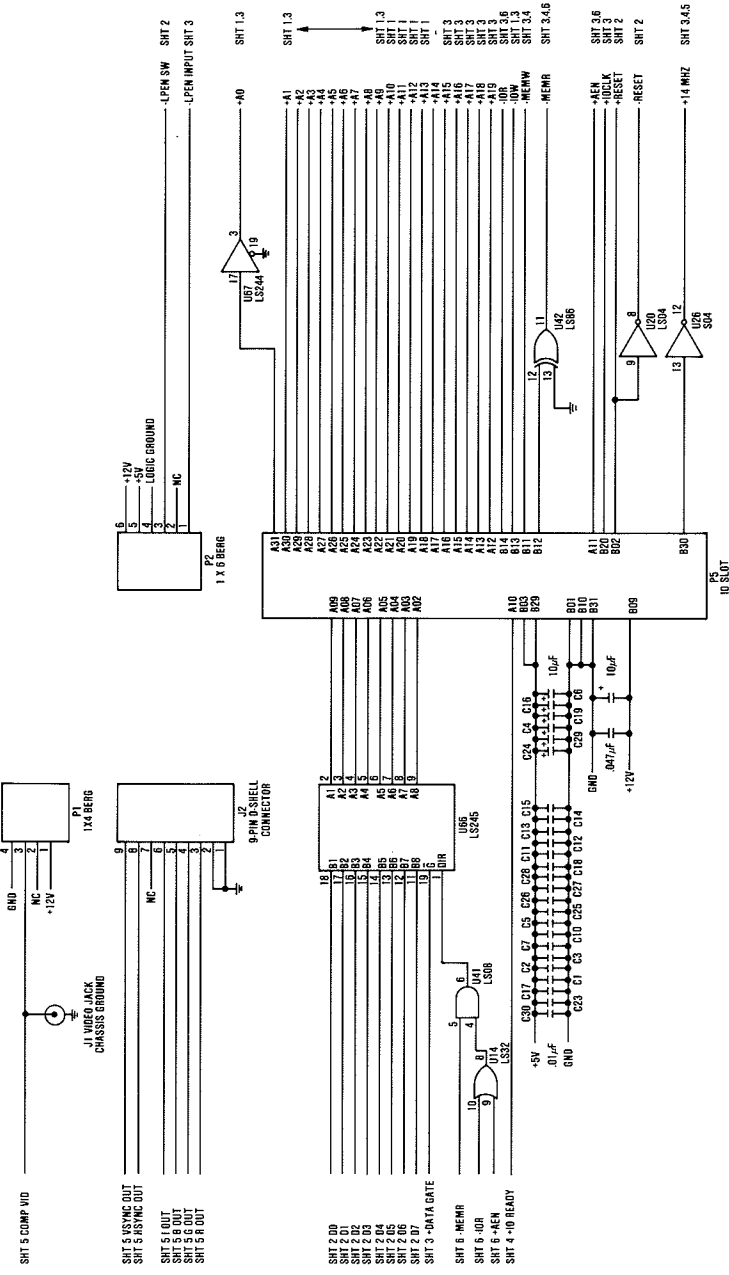






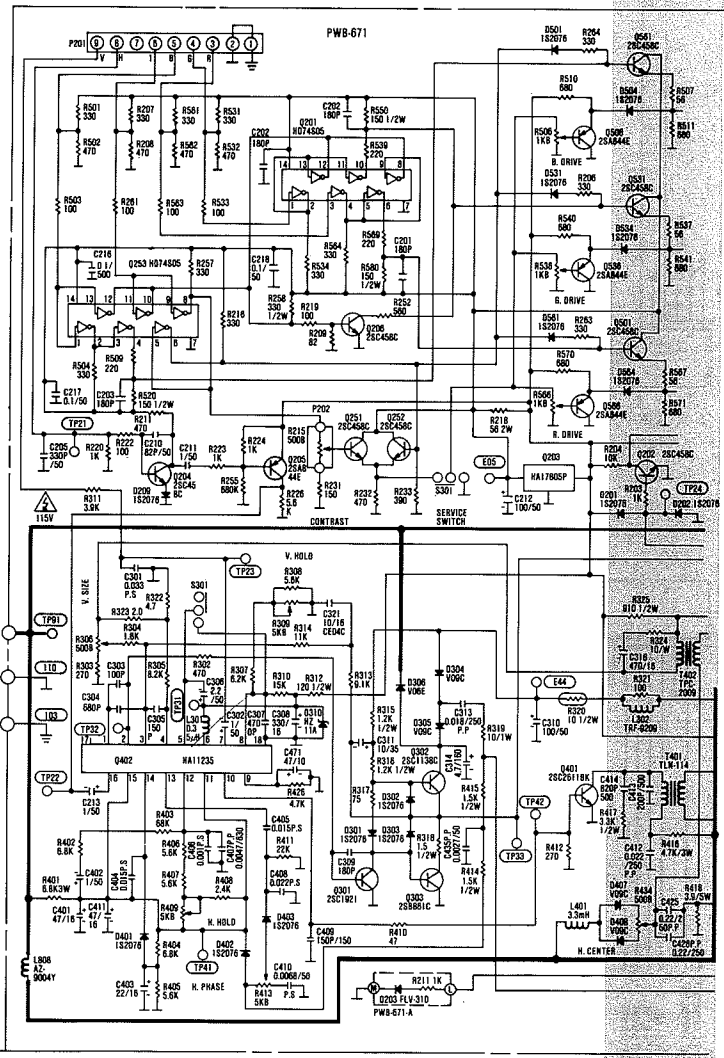






Color/Graphics Monitor Adapter (Sheet 6 of 6)

**DANGER**  
**HAZARDOUS VOLTAGES**  
**UP TO 450 VOLTS EXIST**  
**ON THE PRINTED**  
**CIRCUIT BOARDS**



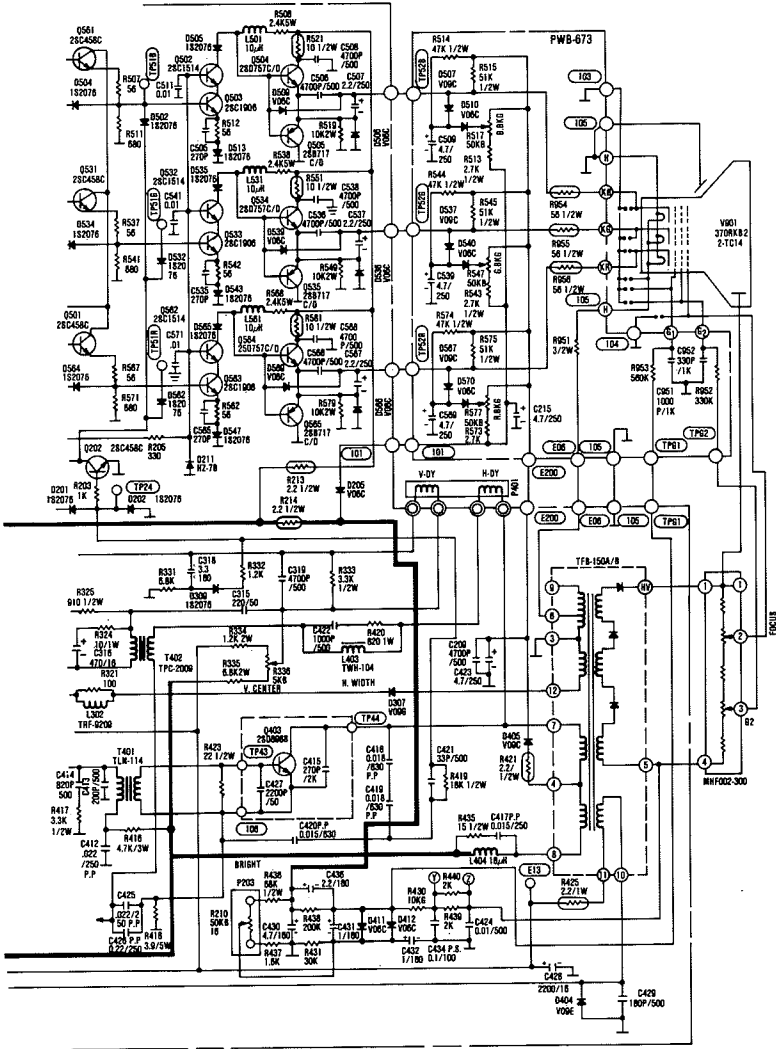
Color Display (Sheet 1 of 1)

**DANGER**

**HAZARDOUS VOLTAGES  
UP TO 450 VOLTS EXIST  
ON THE PRINTED  
CIRCUIT BOARDS**

**NOTES:**

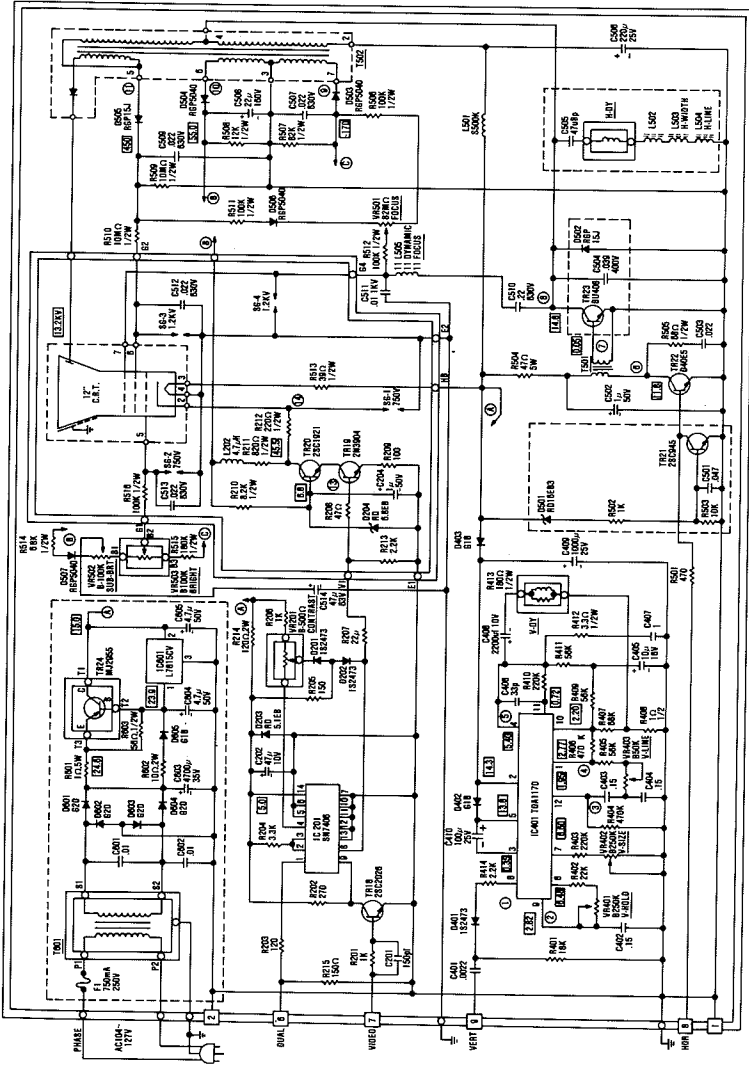
1. RESISTOR VALUES ARE IN OHMS K = 1000 OHMS.
2. ALL RESISTORS ARE 1/2 WATT EXCEPT WHERE OTHERWISE INDICATED.
3. CAPACITOR VALUES ARE IN  $\mu$ F UNLESS OTHERWISE INDICATED P = PF.
4. ALL CAPACITORS ARE 50 VOLTS UNLESS OTHERWISE INDICATED.



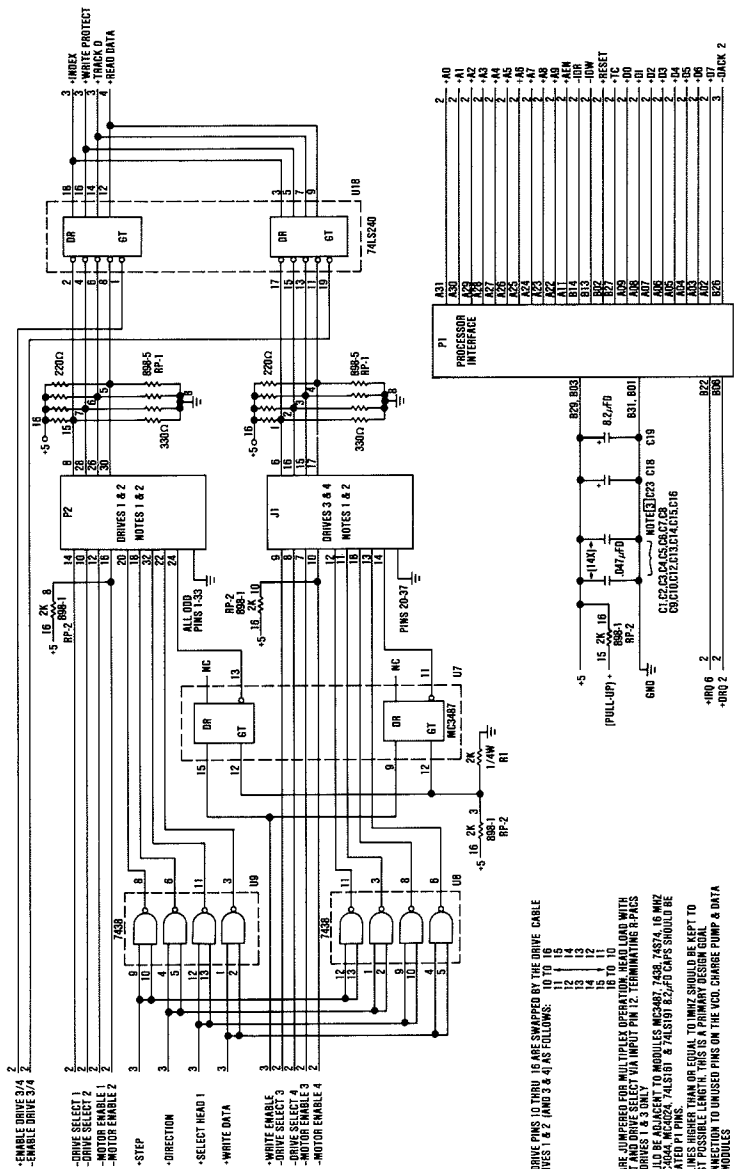
Color Display (Sheet 1 of 1)

**DANGER  
 HAZARDOUS VOLTAGES  
 UP TO 450 VOLTS EXIST  
 ON THE PRINTED  
 CIRCUIT BOARDS**

- NOTES:**
1. RESISTOR VALUES ARE IN OHMS (Ω), K (K), M (M), 100 (100K), 1000 (1000K).
  2. ALL RESISTORS ARE 1/4W EXCEPT WHERE OTHERWISE INDICATED.
  3. ALL CAPACITORS ARE 50V EXCEPT WHERE OTHERWISE INDICATED.
  4. ALL WIRING IS 22 AWG UNLESS OTHERWISE INDICATED.
  5. AC WIRING INFORMATION
  6. PHASE - BLACK/BROWN WIRE
  7. GROUND - GREEN AND YELLOW WIRE
- IMPORTANT: THE PAPER WIRE MUST GO TO THE FUSED SIDE OF TRANSFORMER**



Monochrome Display (Sheet 1 of 1)

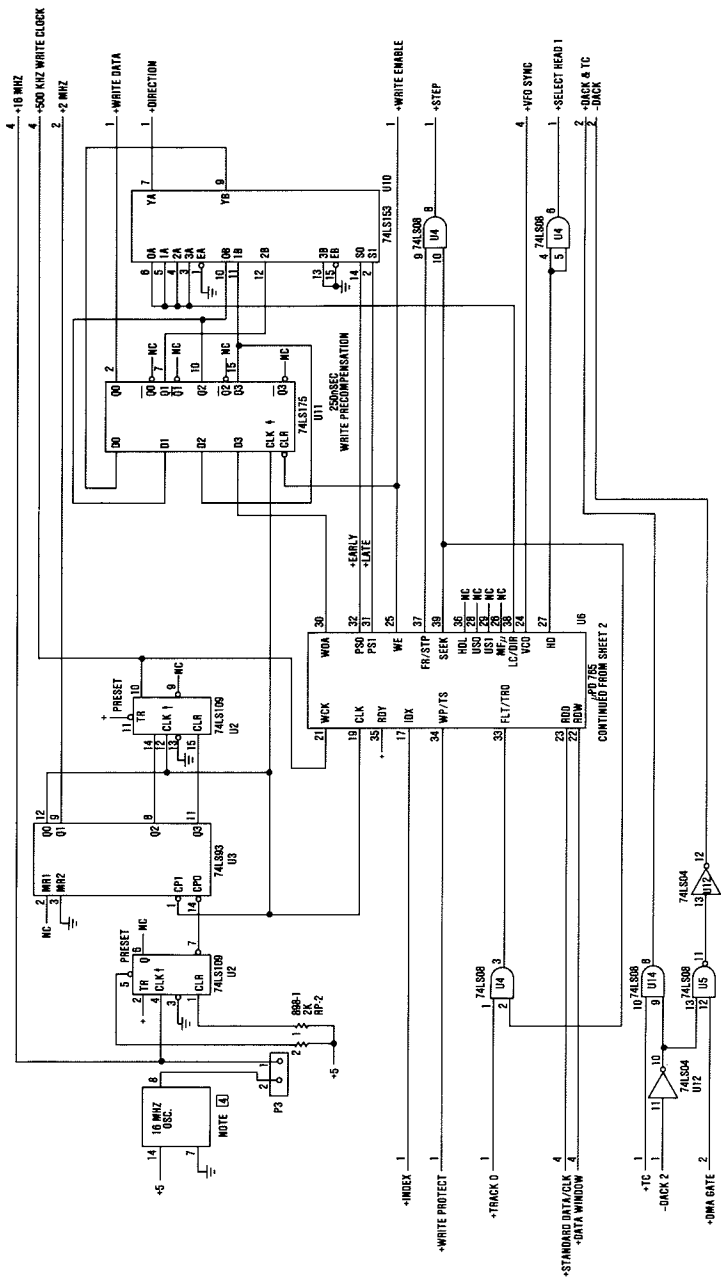


- NOTES:
1. SIGNALS ON DRIVE PINS 10 THRU 16 ARE SWAPPED BY THE DRIVE CABLE BETWEEN DRIVES 1 & 2. (AND 3 & 4) AS FOLLOWS:
 

10 TO 16	16 TO 10
11 TO 16	15 TO 11
12 TO 16	14 TO 12
13 TO 16	13 TO 13
14 TO 16	12 TO 14
15 TO 16	11 TO 15
16 TO 16	10 TO 16
  2. ALL DRIVES ARE JUMPED FOR MULTIPLEX OPERATION. HEAD LOAD WITH JUMP SHOULD BE ADJACENT TO MODULES MISC487, 7438, 7457A, 16 WMZ ARE LEFT IN DRIVES 1 & 3 ONLY. (MISC487 & 74LS197 & 74LS197 CAPS SHOULD BE KEPT ASSOCIATED WITH PINS 1 & 3)
  3. JUMP SHOULD BE ADJACENT TO MODULES MISC487, 7438, 7457A, 16 WMZ KEPT ASSOCIATED WITH PINS 1 & 3
  4. ALL SIGNAL LINES HIGHER THAN OR EQUAL TO 10V SHOULD BE KEPT TO THE SHORTEST POSSIBLE LENGTH. THIS IS A PRIMARY DESIGN GOAL.
  5. SEPARATOR MODULES TO UNDO PINS ON THE VCD. CHARGE PUMP & DATA
  6. ALL VOLTAGE AND GROUND CONNECTORS TO THE VCD. CHARGE PUMP & DATA SHOULD BE KEPT TO THE SHORTEST POSSIBLE LENGTH. SEPARATE FROM OTHER CIRCUITS AND THEN JOINED TO THE OTHER CIRCUITS IN ONE POINT.

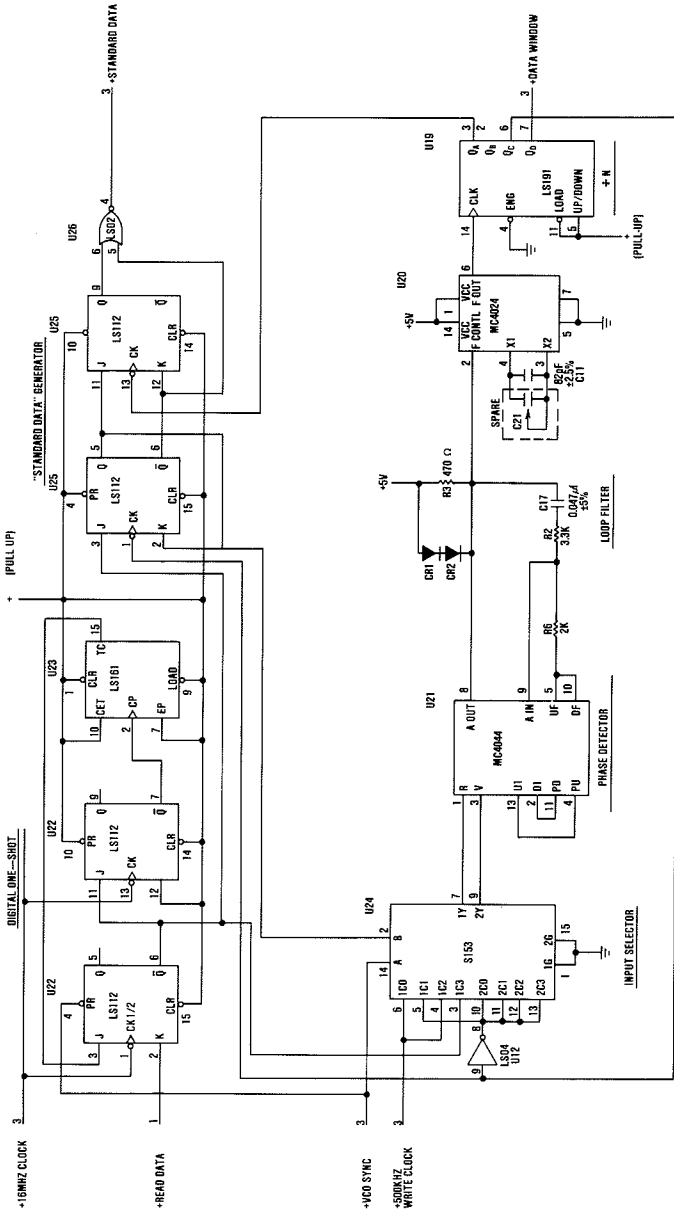
5-1/4 Inch Diskette Drive Adapter (Sheet 1 of 4)





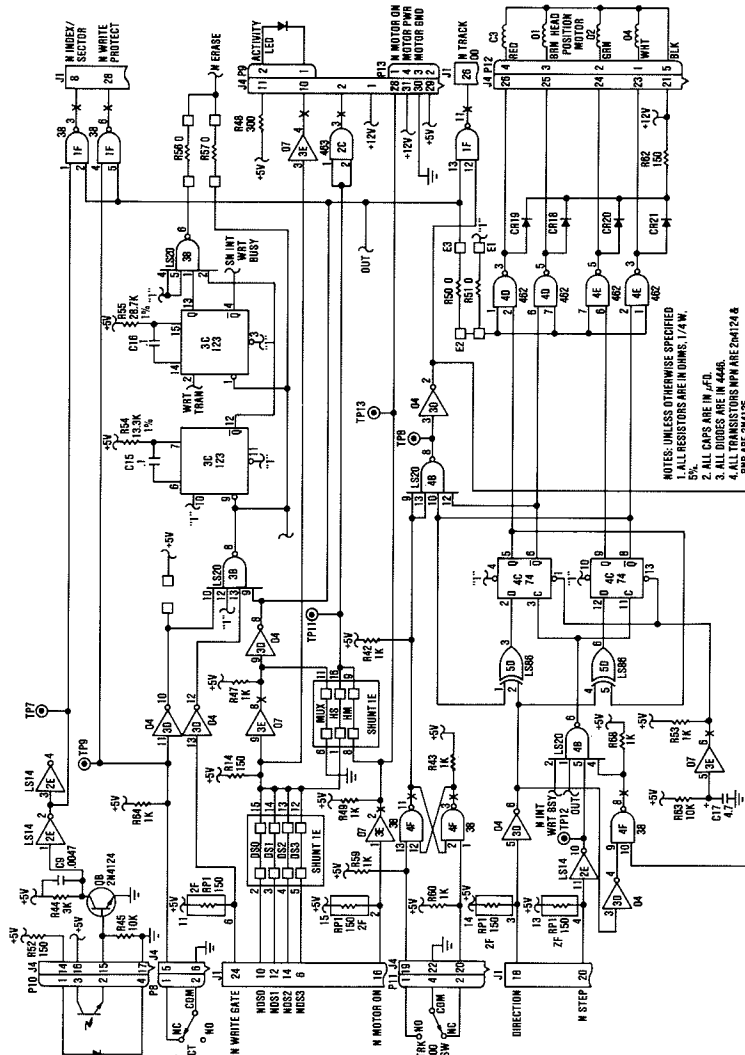
NOTE:  
U1, 74LS109, UMS 12 AND 13 ARE CONNECTED ONLY ON CARDS BUILT  
USING RAW CARD PTA 605125

5-1/4 Inch Diskette Drive Adapter (Sheet 3 of 4)

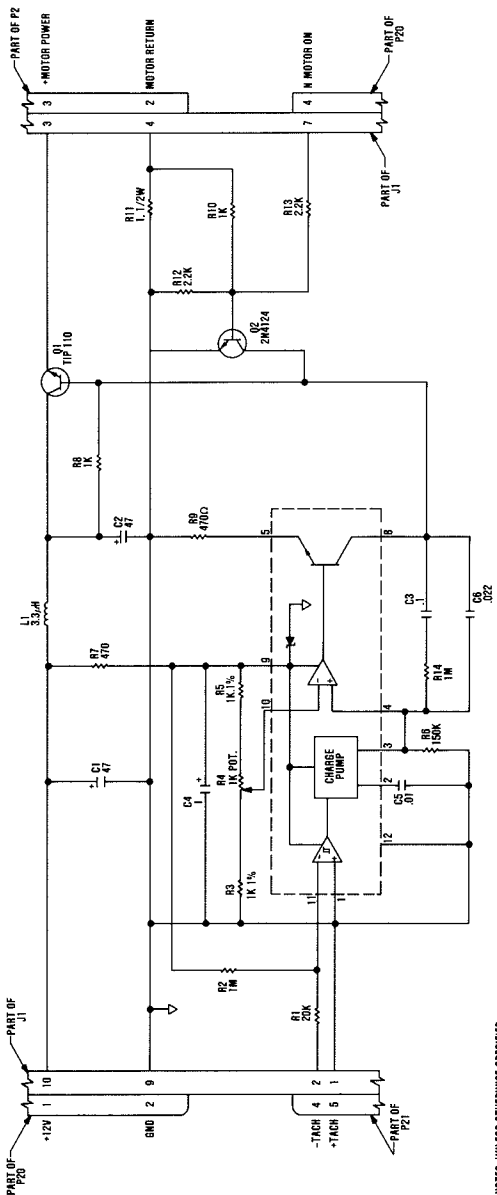


5-1/4 Inch Diskette Drive Adapter (Sheet 4 of 4)





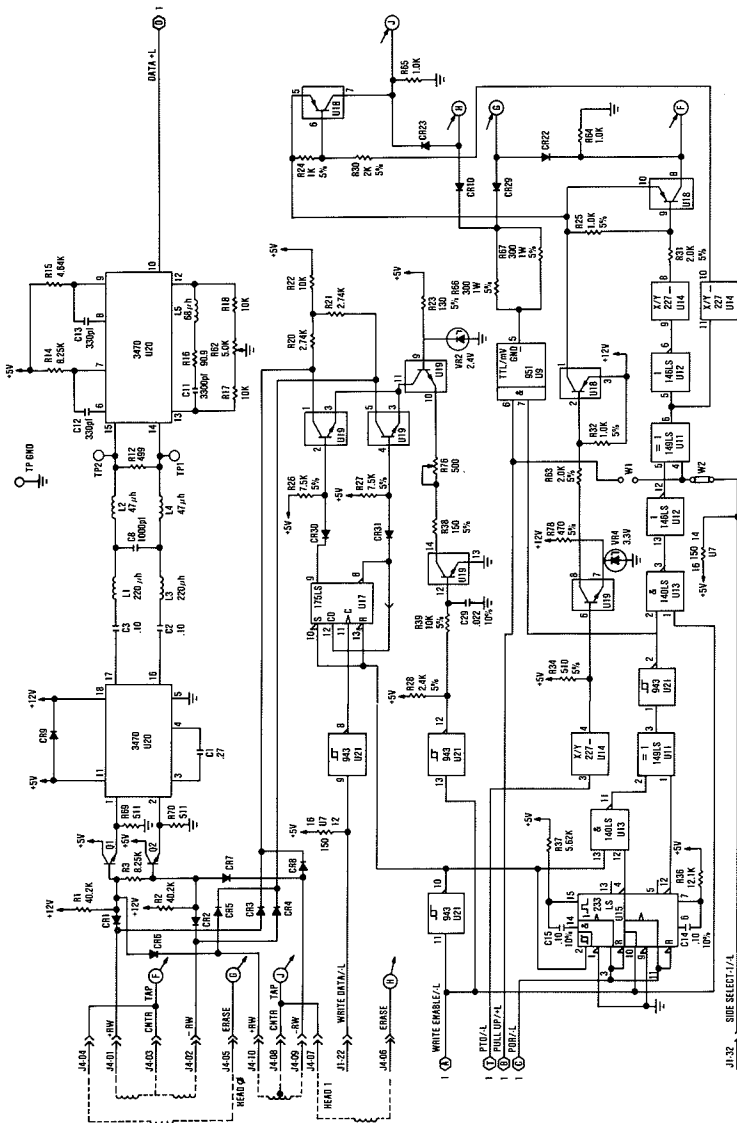
5-1/4 Inch Diskette Drive Type 1 (Sheet 2 of 3)



NOTES: UNLESS OTHERWISE SPECIFIED  
 1. RESISTORS ARE IN OHMS. -5%, 1/4W.  
 2. 1% RESISTORS ARE 1/10W.  
 3. CAPACITORS ARE IN  $\mu$ F. -20%, 35V.

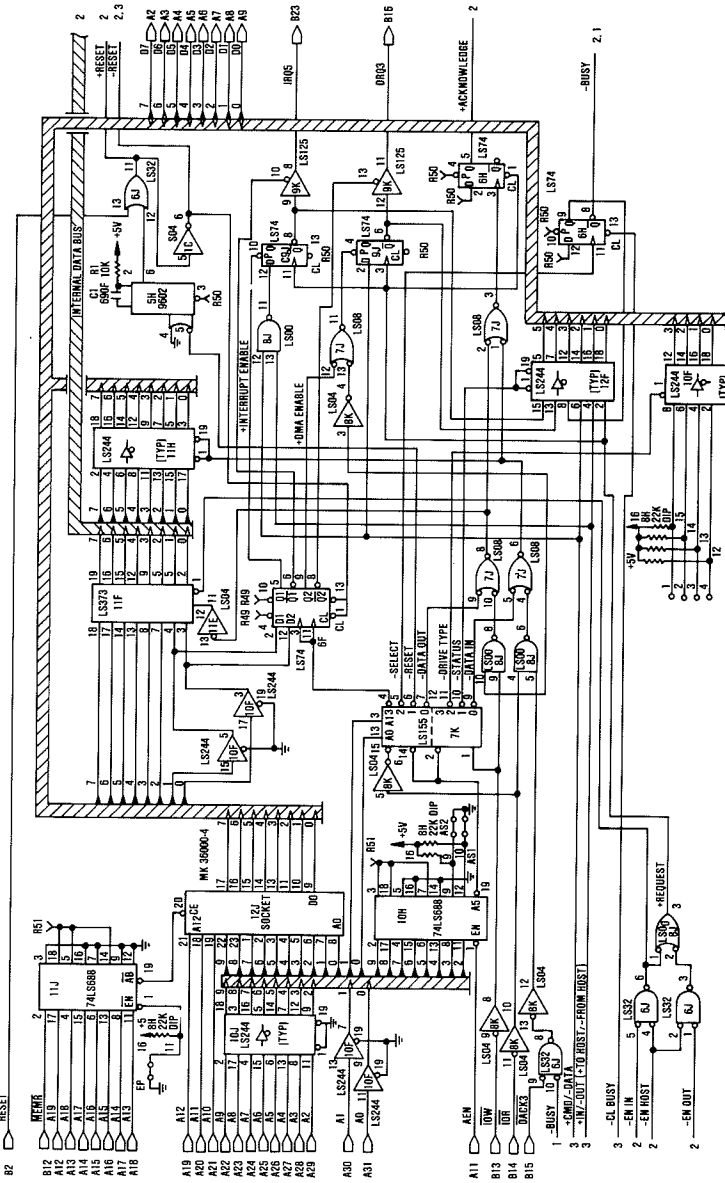
5-1/4 inch Diskette Drive Type 1 (Sheet 3 of 3)





5-1/4 Inch Diskette Drive Type 2 (Sheet 2 of 2)

J1.32, SIDE SELECT 1/A

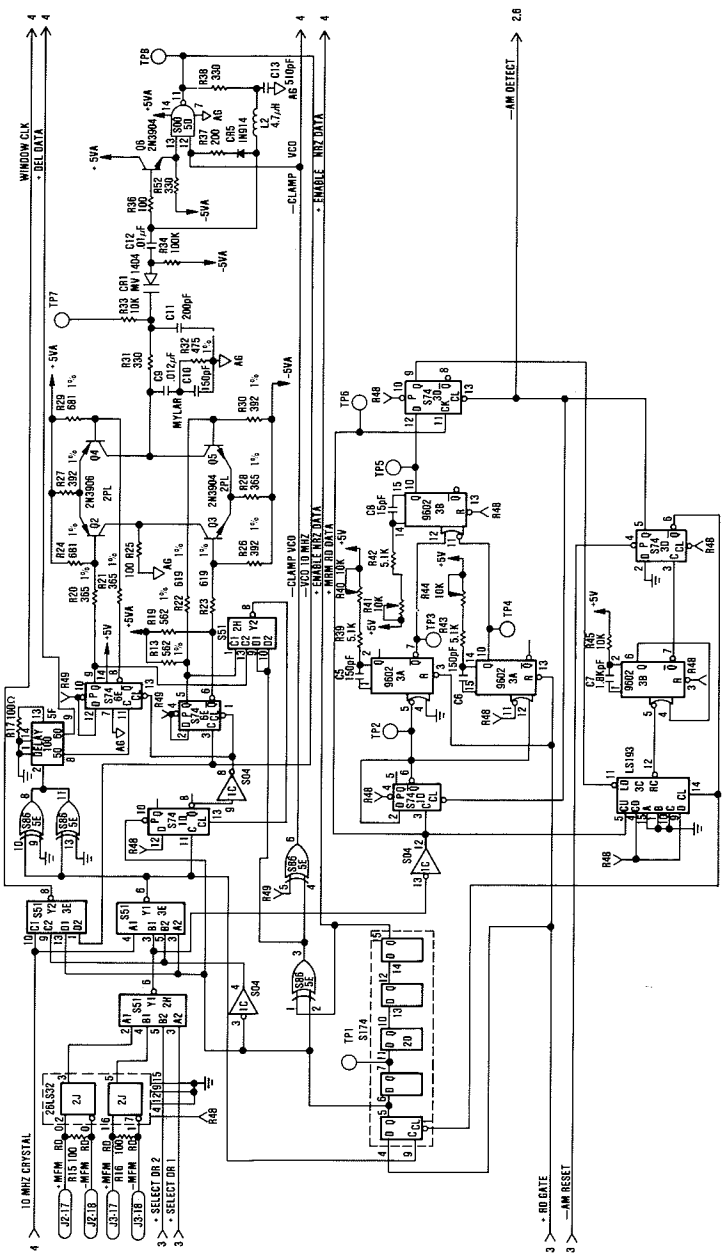


Fixed Disk Drive Adapter (Sheet 1 of 6)

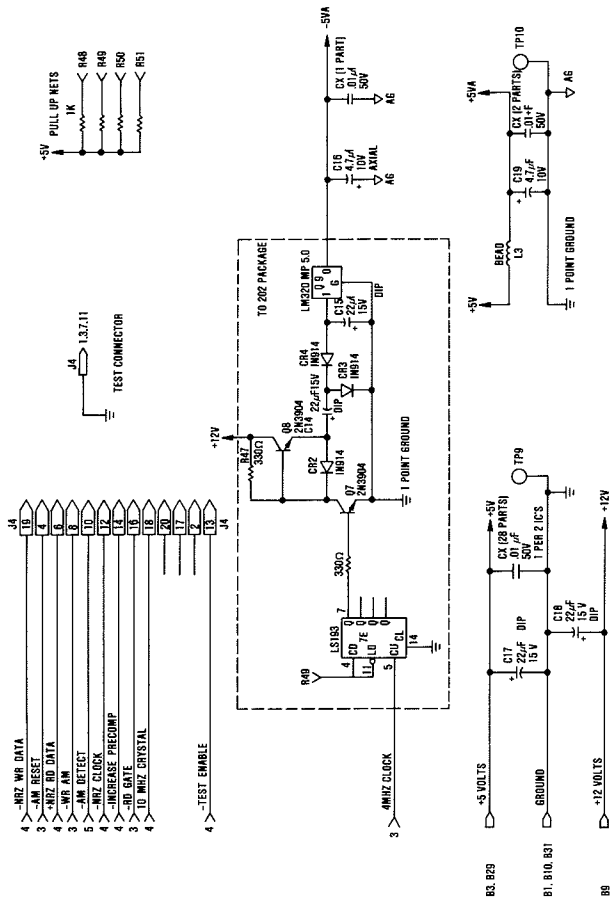






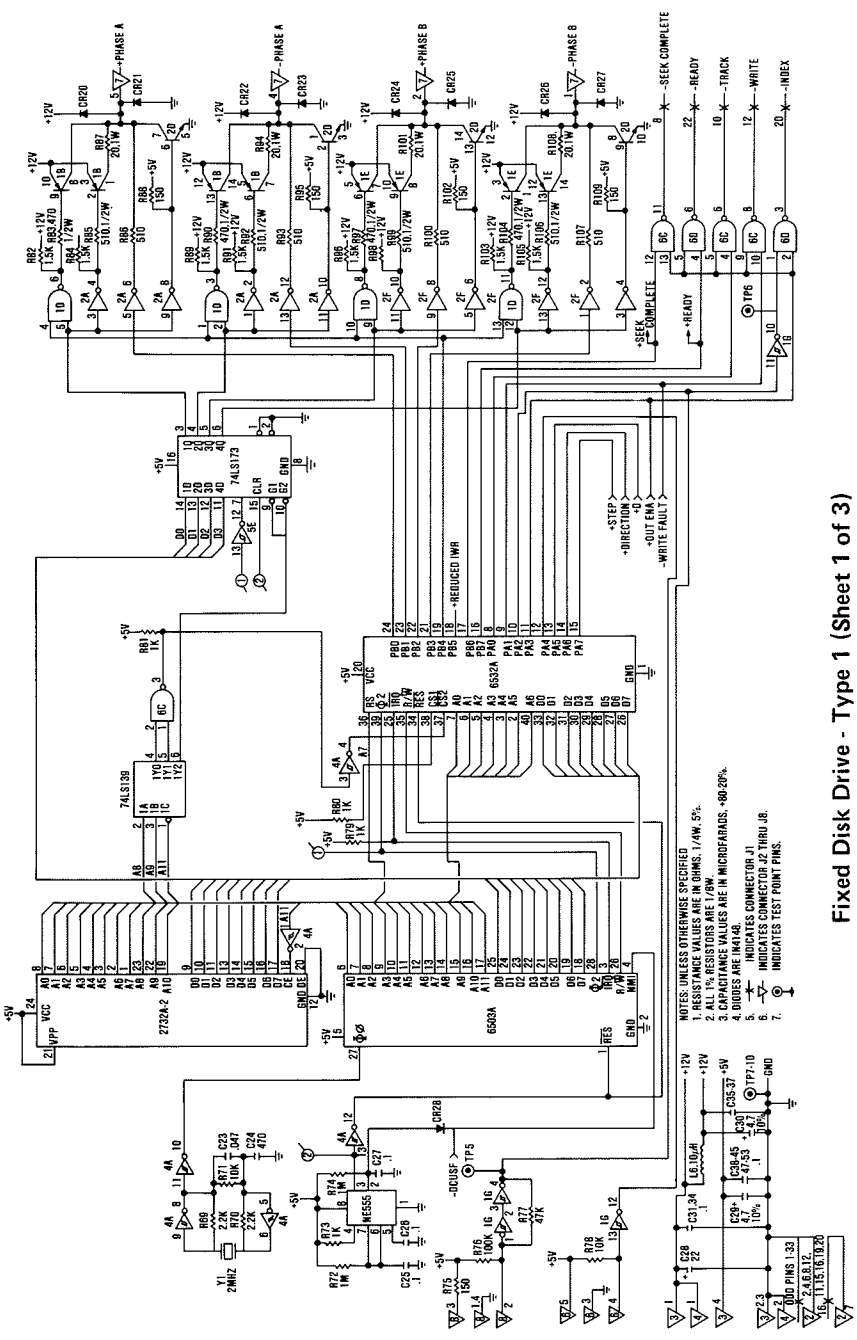


Fixed Disk Drive Adapter (Sheet 5 of 6)

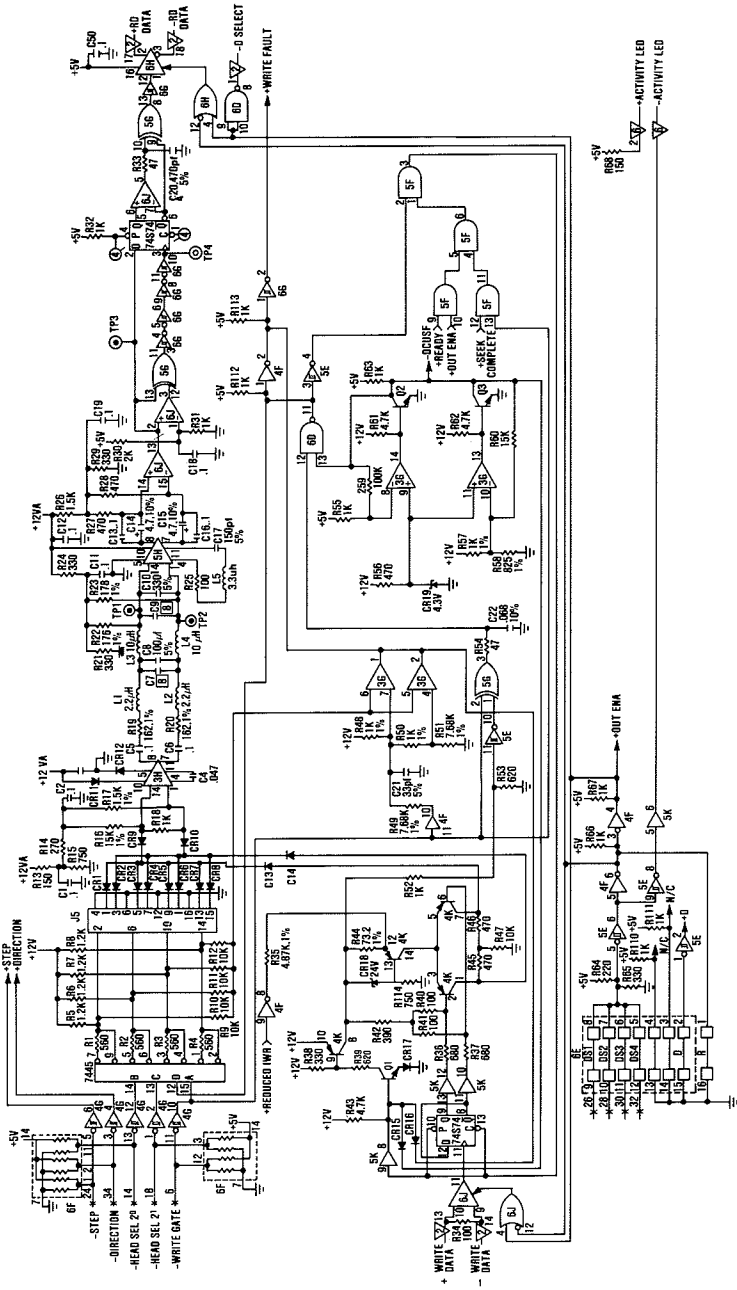


NOTES:  
 1. UNLESS OTHERWISE SPECIFIED, ALL CAPS = 10% TOLERANCE CARBON FILM RESISTOR FILTER.  
 2. ALL CAPS = 10% OR GREATER +10%.  
 3. NO MORE THAN 15 LOCUS PER PULLUP NET.

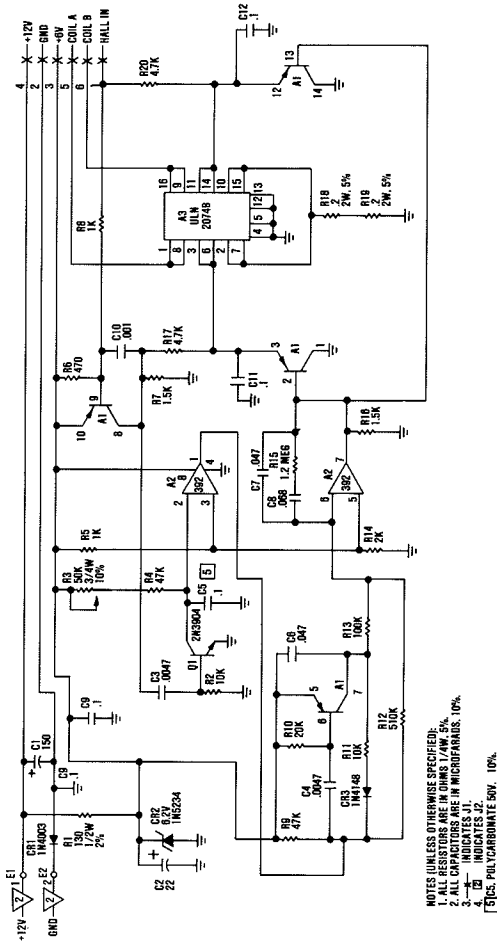
Fixed Disk Drive Adapter (Sheet 6 of 6)



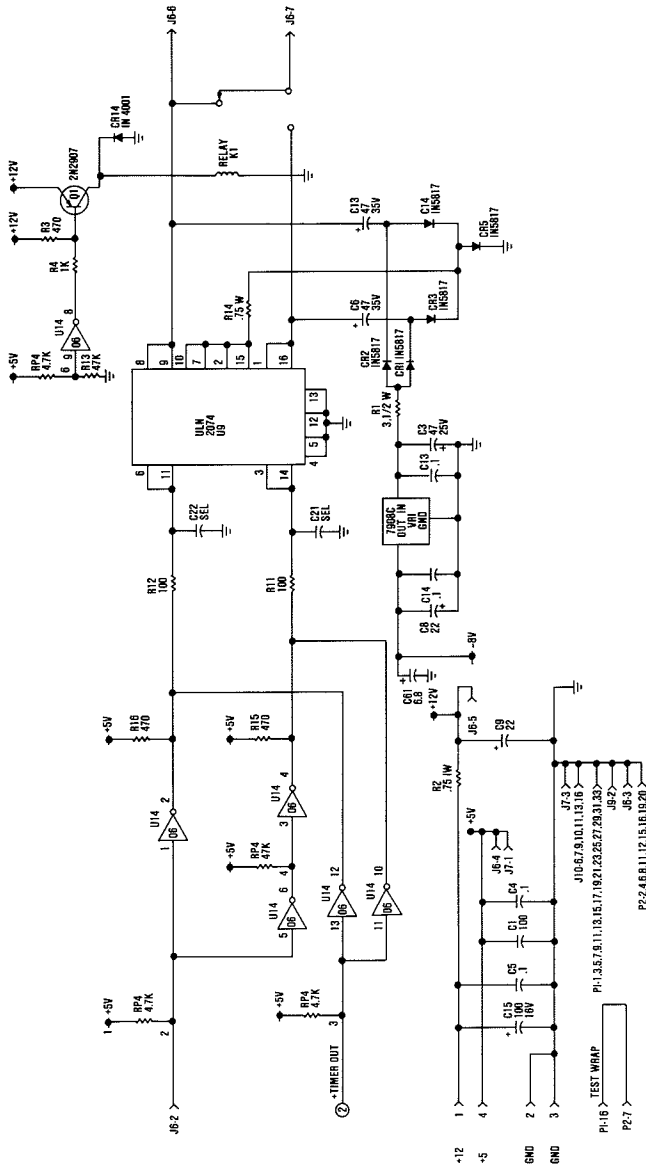
Fixed Disk Drive - Type 1 (Sheet 1 of 3)



Fixed Disk Drive - Type 1 (Sheet 2 of 3)



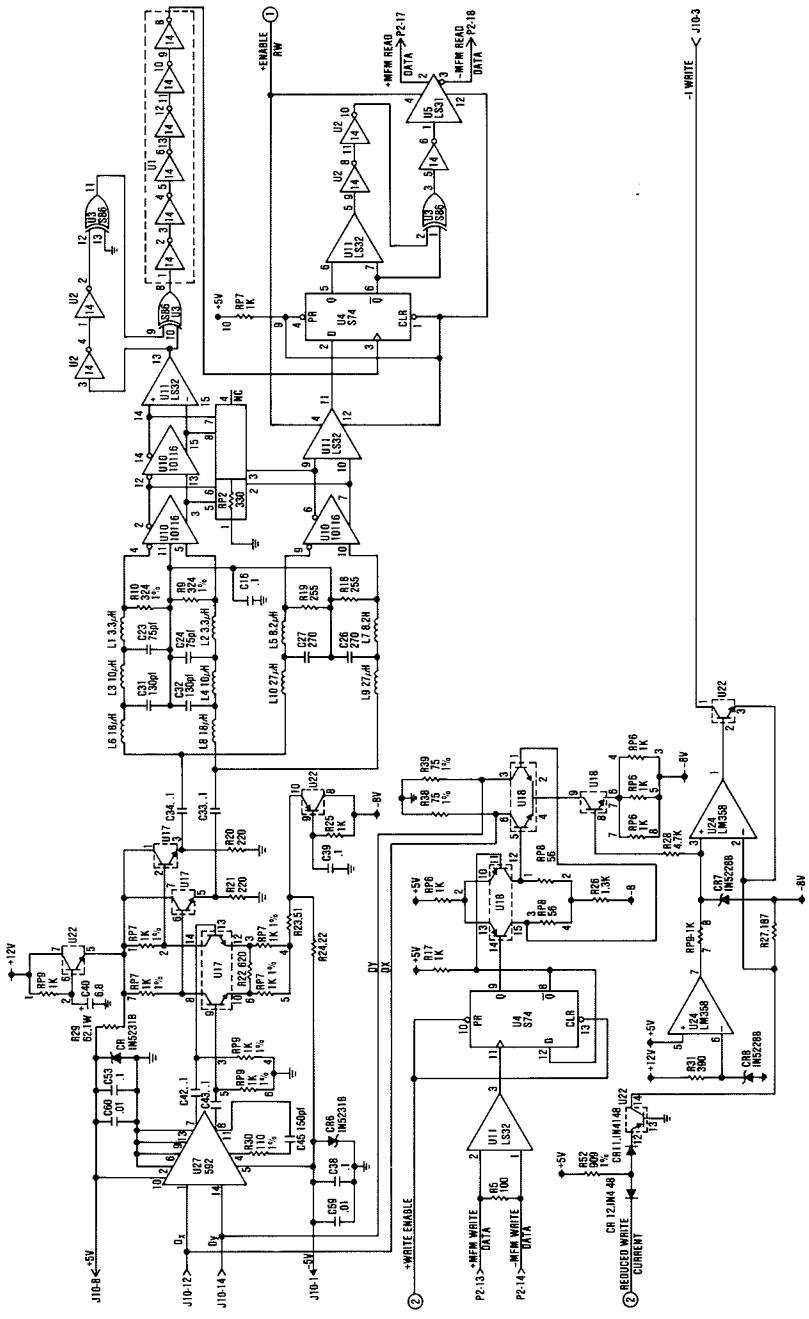
Fixed Disk Drive - Type 1 (Sheet 3 of 3)



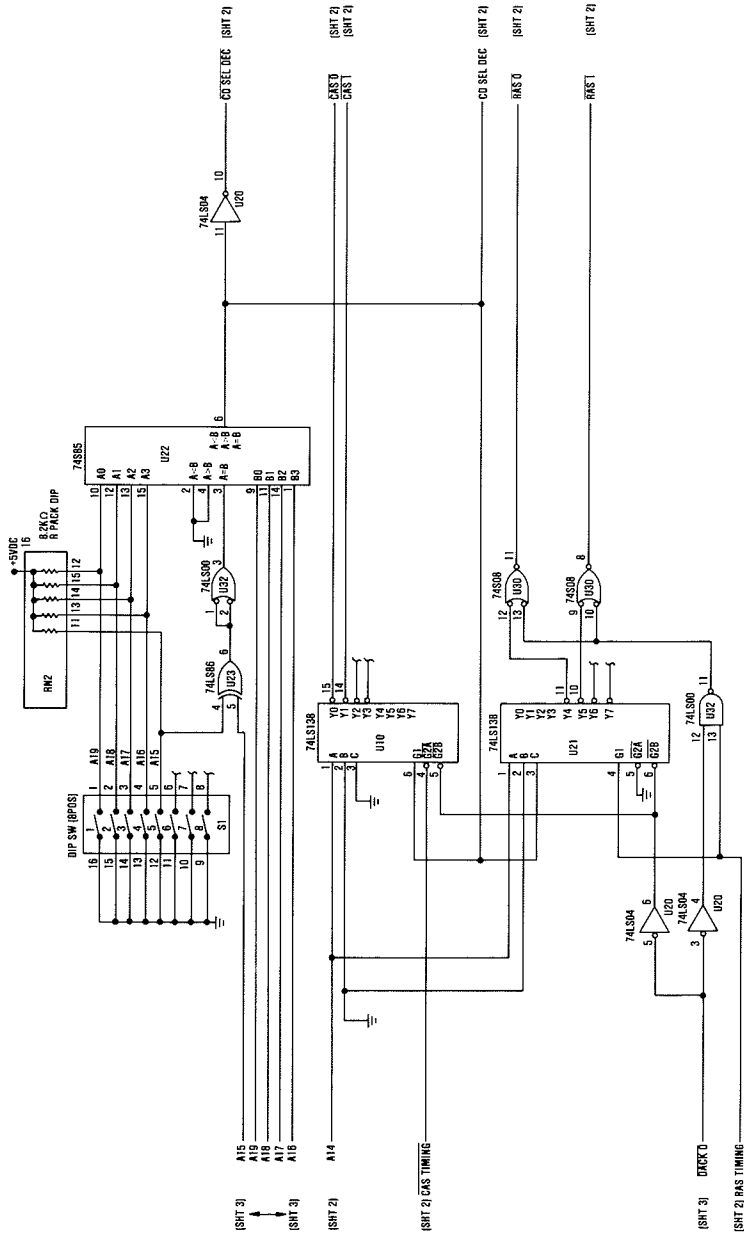
- NOTES:
1. SHEET TO SHEET CONNECTION IS AS FOLLOWS:
  2. UNLESS OTHERWISE SPECIFIED ALL RESISTORS ARE 1/4W 5% VALUE IN OHMS
  3. CAPACITORS -80-20% VALUE IN  $\mu$ F
  4. ET IS A PROGRAMMABLE JUMPER SOCKET

Fixed Disk Drive - Type 2 (Sheet 1 of 3)

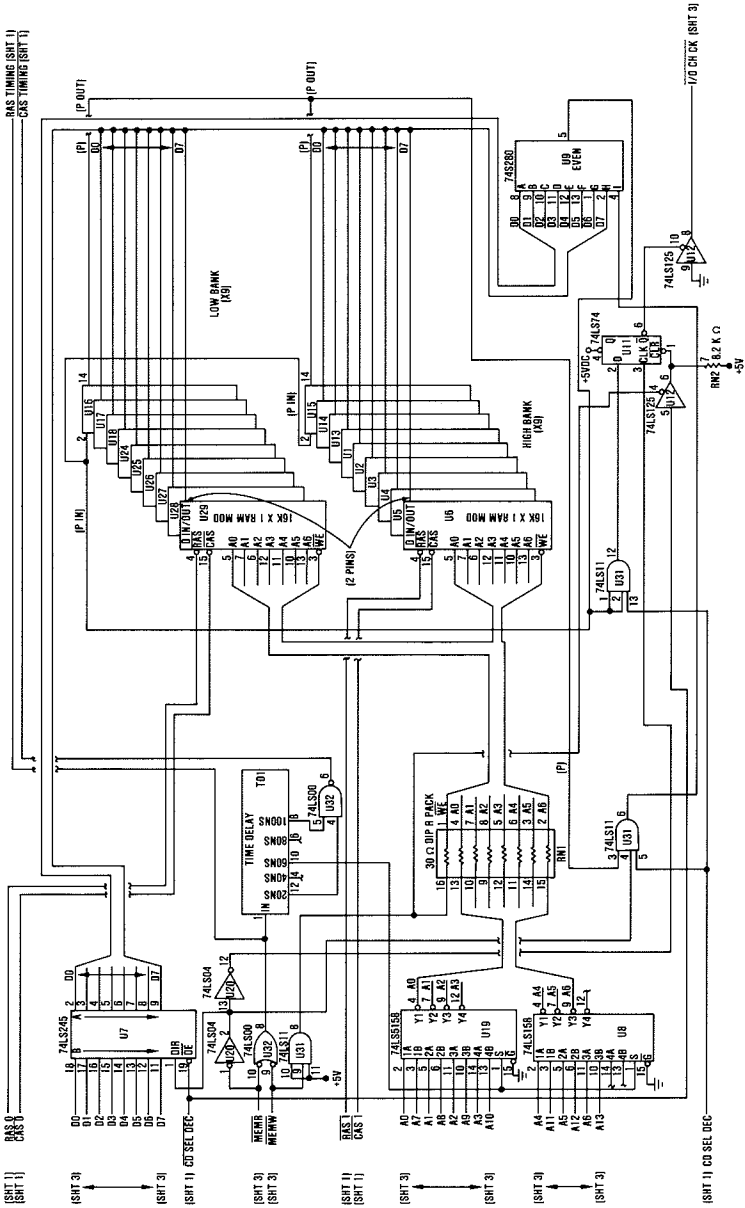




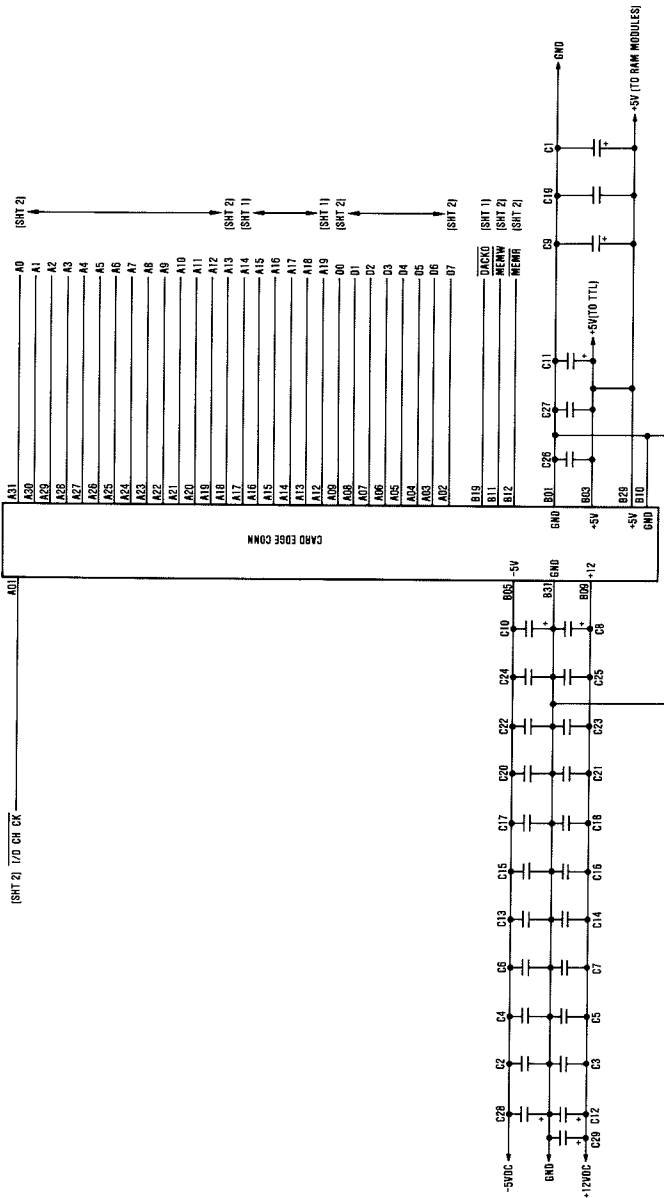
Fixed Disk Drive - Type 2 (Sheet 3 of 3)



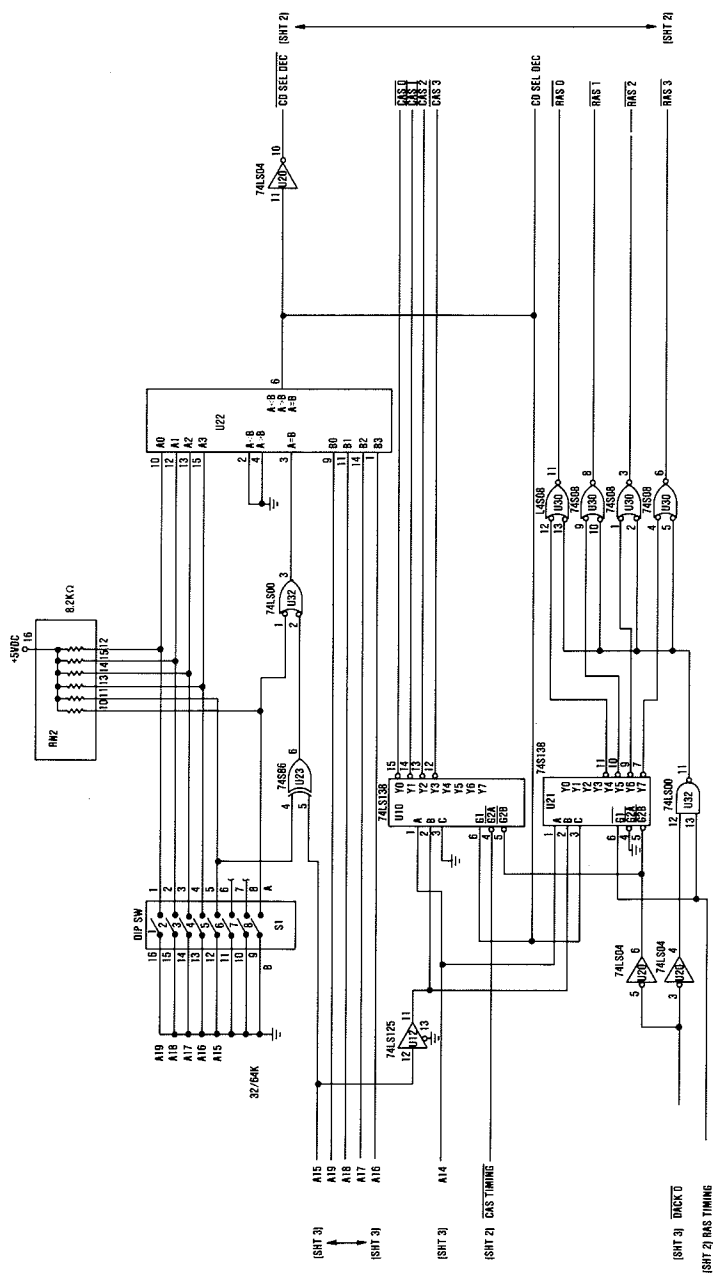
32K Memory Expansion Option (Sheet 1 of 3)



32K Memory Expansion Option (Sheet 2 of 3)

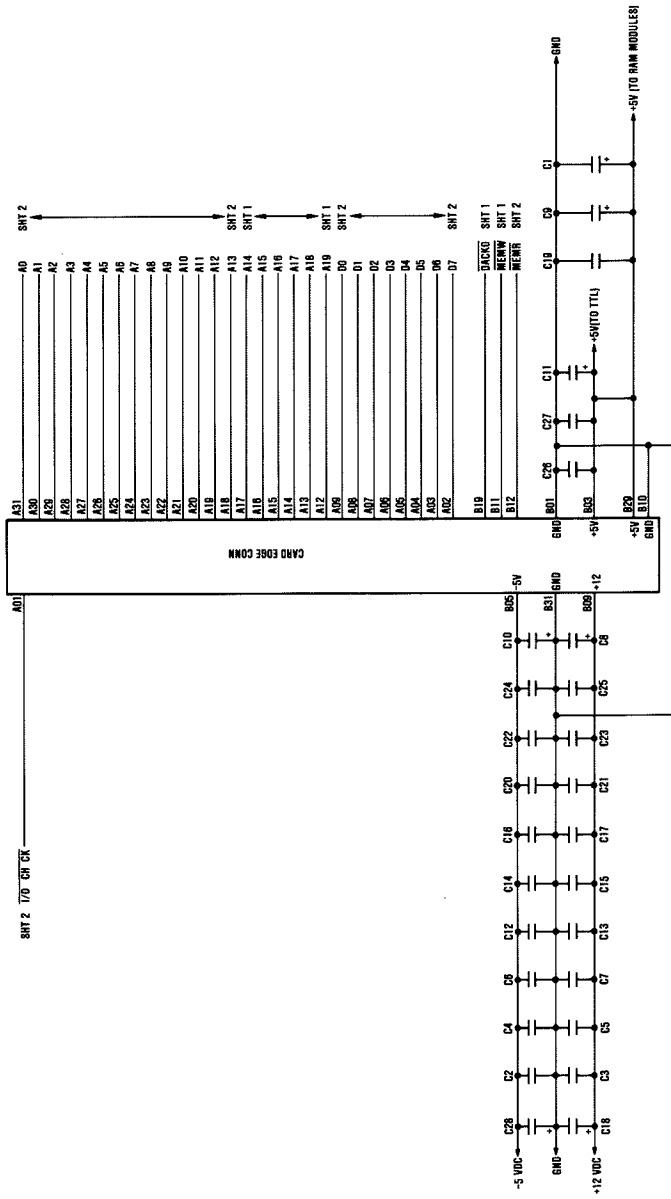


32K Memory Expansion Option (Sheet 3 of 3)



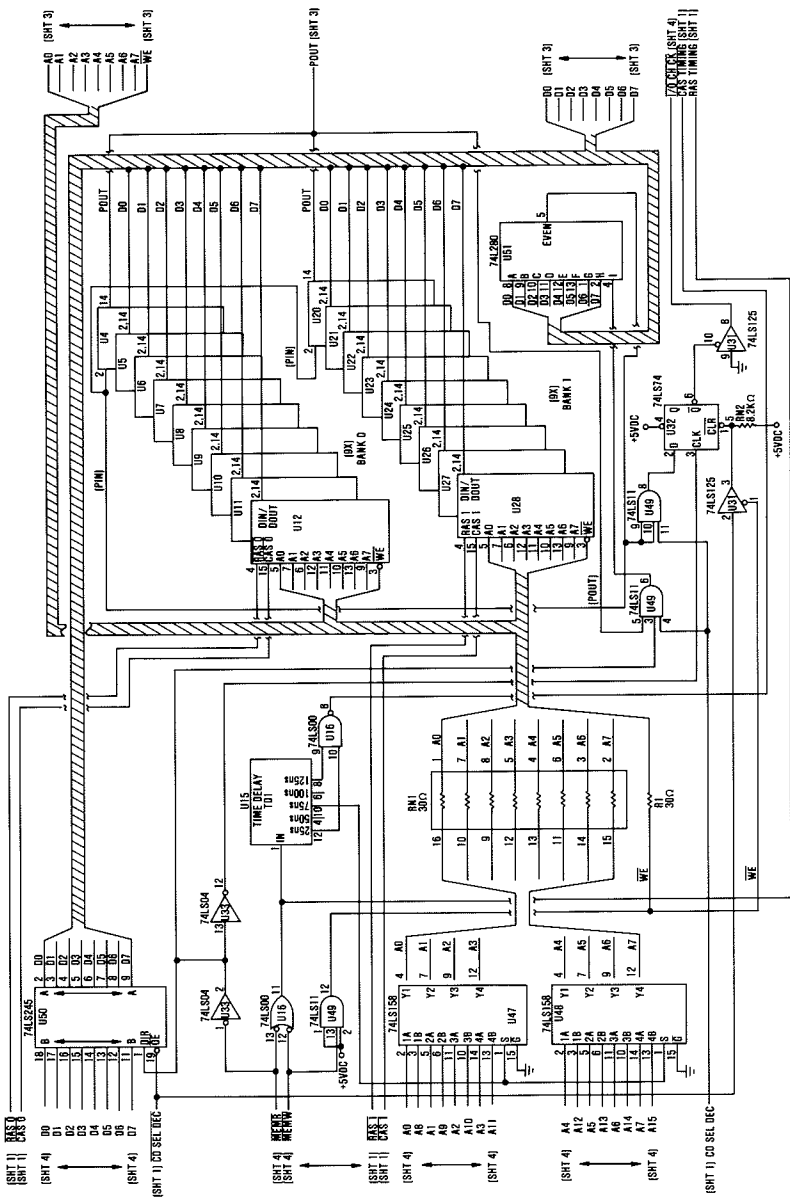
64K Memory Expansion Option (Sheet 1 of 3)



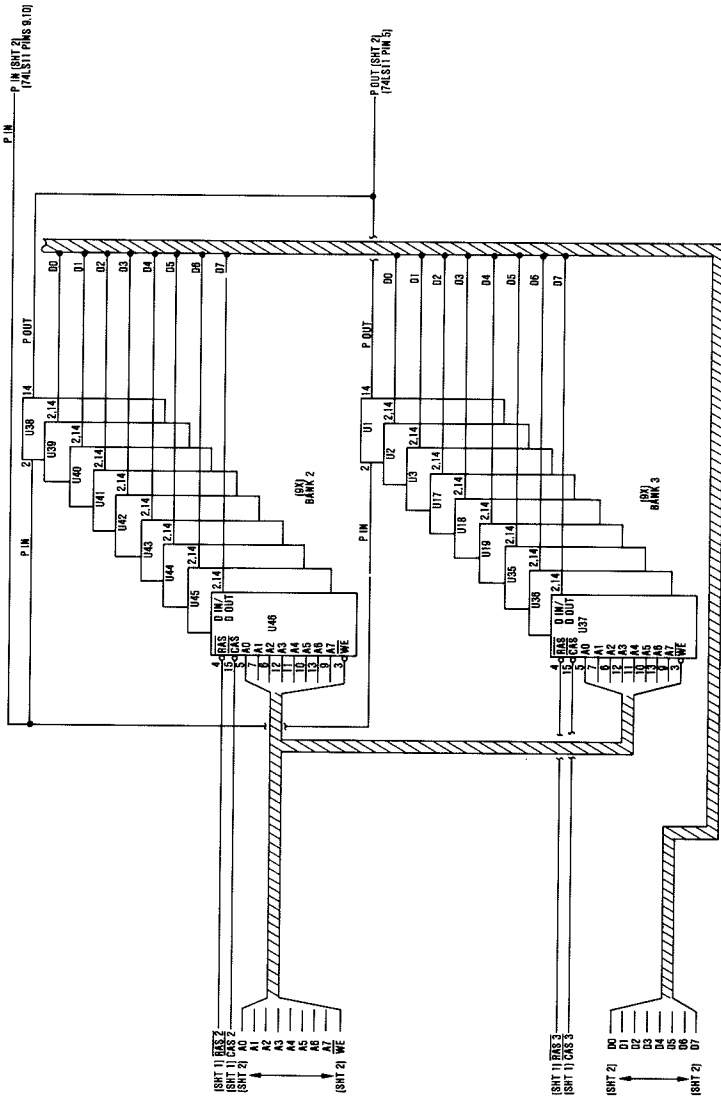


64K Memory Expansion Option (Sheet 3 of 3)





64/256K Memory Expansion Option (Sheet 2 of 4)



64/256K Memory Expansion Option (Sheet 3 of 4)